



Success Stories

1- project name: welding test, and pilot test for cofferdam lifting tool for handling the isolating gates

Company: ALSTOM (AWS)

Place: El Nour Pumping station.



2- project name: welding test, and pilot test for cofferdam lifting tool for handling the isolating gates

Company: ALSTOM (AWS)

Place: Moheet Zagloul Pumping station..



3- project name: Total Station and leveling optical tool, Beano wire with special internal Micrometer for steam turbine and generator.

Place: El-Tebbin Power. Station.

Company: ALSTOM Egypt for Power & transport Projects.

4- project name: The civil works to measure the ground loading capacity.

Company: ALSTOM Egypt for Power & transport Projects.

Place: El-Tebbin Power. Station.



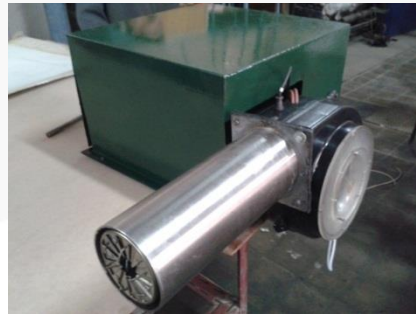
5- project name: Design work, manufacturing follow-up and inspection of a duel fuel burner

(Gas, Light Oil, & Gas/Light Oil) with the following specs.

- 1- power: 111.6 kW
- 2- fuel consumption: 3.5 Gal/min
- 3- air flow rate: 135 Litre/min
- 4- temperature control using thermocouple is included.

Company: GEMMA

Place: Industrial zone, Arab Abo-Saaed, Helwan Auto street



Type: EMC-Burners

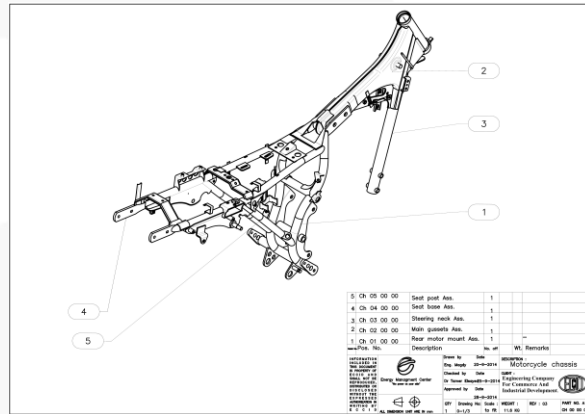
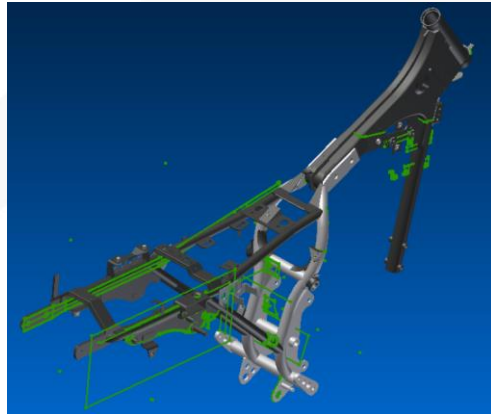
6- project name: workshop drawings for all the parts of the motorcycle chassis by reverse engineering according to the Specimen.

The work included

- 1- Parts drawings are folded and unfolded.
- 2- Parts coding.
- 3- 2D assembly for the whole chassis.
- 4- 3D assembly for the whole chassis.
- 5- Bell of quantities per chassis.
- 6- The drawings will be delivered in both hard and soft copies.

Company: (ECCID) Engineering Company For Commerce and Industrial Development.

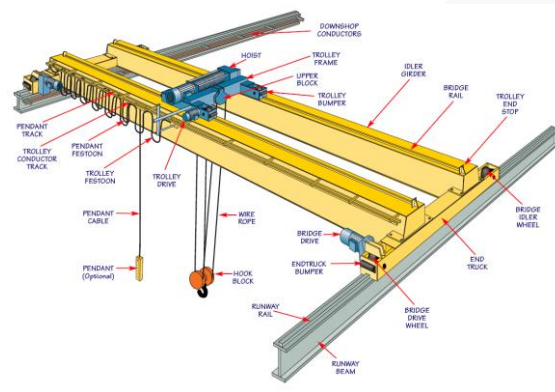
Place: Industrial zone, 6th of October



7- project name: Design of 25 ton double girder bridge crane of span 7500 mm.

Company: TRUMAN electronics.

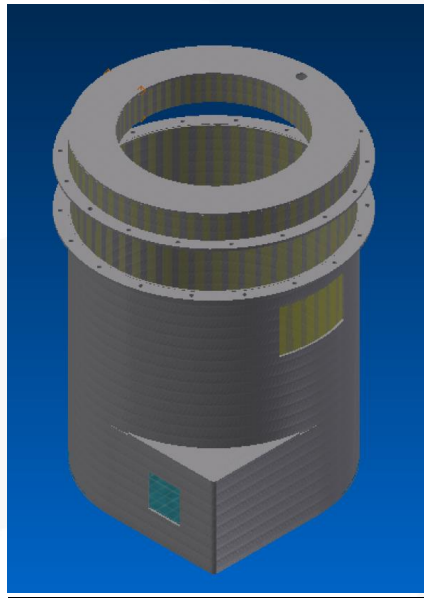
Place: Abu-Rawwash Industrial zone



8- project name: Design work, manufacturing follow-up and inspection of 500 kg crucible furnace for aluminum smelting.

Company: GEMMA.

Place: Industrial zone, Arab Abo-Saed, Helwan Auto street



9- project name: Fabrication follow-up, welding test, and pilot test for weed screen cleaning machine.

Company: ALSTOM

Place: KOM OMBO pumping station – BALLANA
KOM OMBO pumping station – AI TAWISA